

## Technical Specification

MALÅ Mini is a hand-pushed cart for rough terrain suitable for many MALÅ antennas, when conducting GPR surveys on unpaved surfaces and in rougher terrain. The cart is available in two sizes, to accommodate the choice of antenna.

### MALÅ RTC

<b>Weight</b>	21 kg / 46.3 lbs, without controller or antenna mounted
<b>Battery bay/compartament</b>	Up to four standard MALÅ 12V batteries
<b>Suitable for antennas</b>	Ground Explorer 160 Ground Explorer 450 Ground Explorer 750 Easy Locator Pro Widerange Easy Locator Pro Easy Locator HDR Rev2 ProEx 250 ProEx 500 ProEx 800

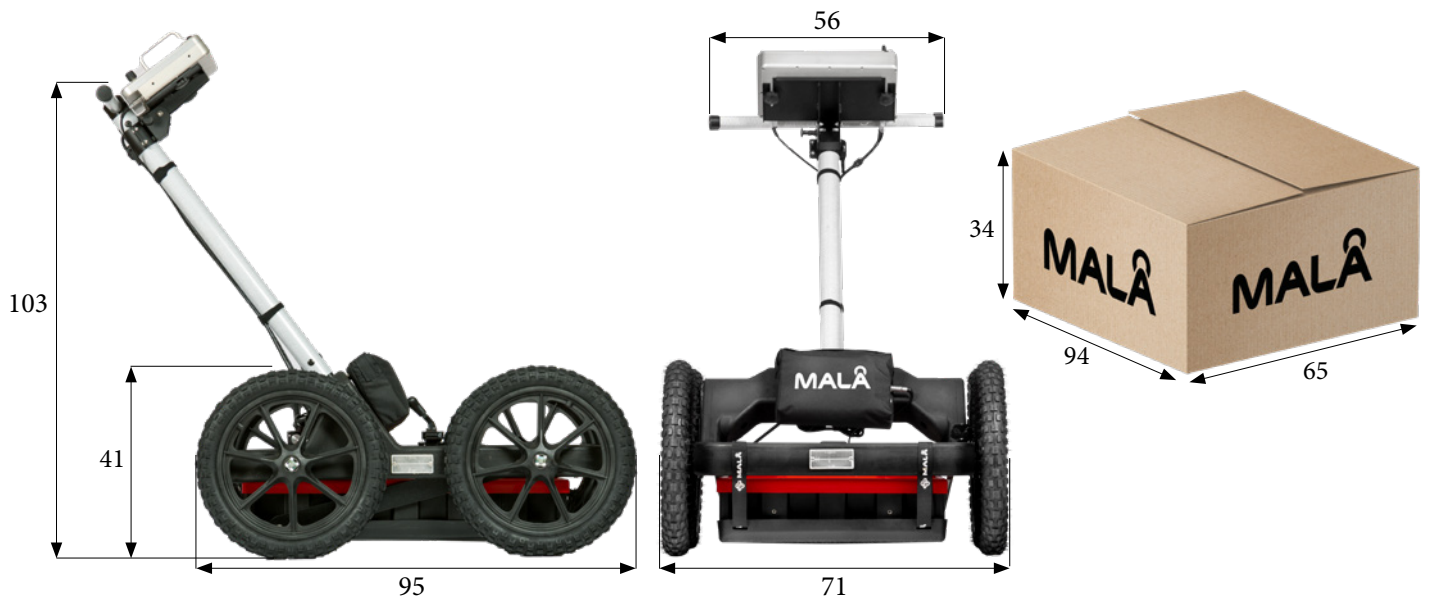


### MALÅ RTC Mini

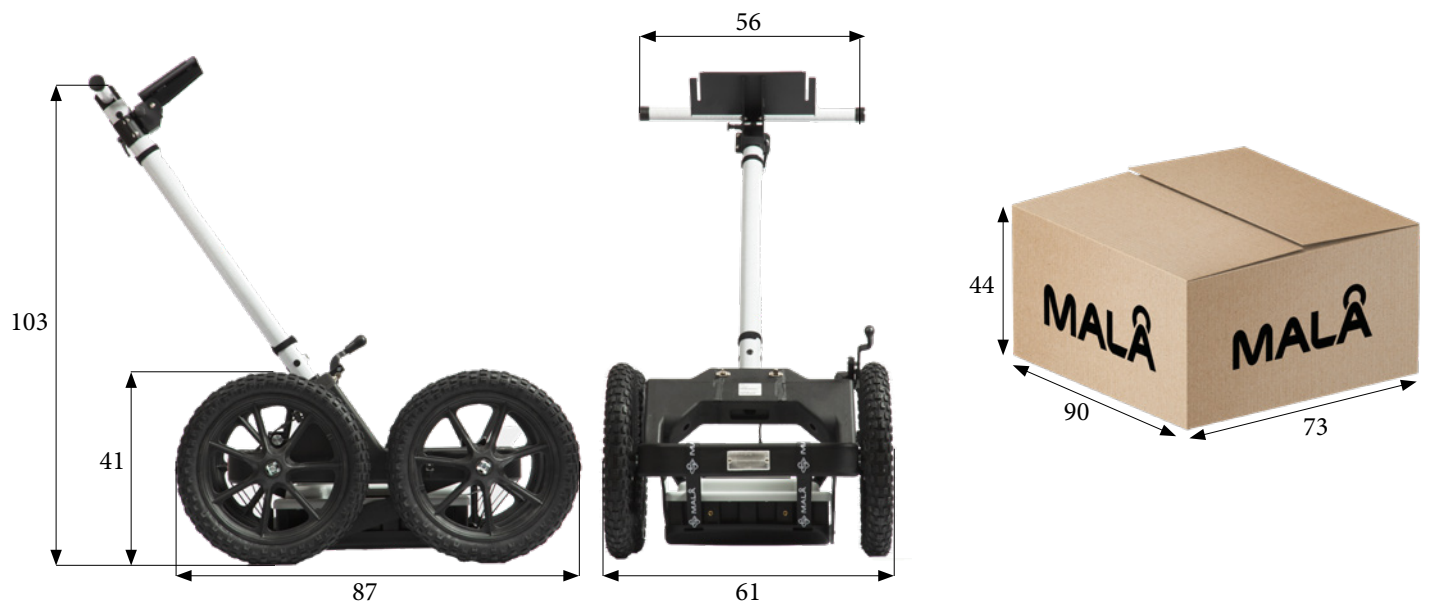
<b>Weight</b>	18 kg / 39.7 lb without controller or antenna mounted
<b>Battery bay/compartament</b>	Up to four standard MALÅ 12V batteries
<b>Suitable for antennas</b>	Ground Explorer 450 Ground Explorer 750 Easy Locator Pro Easy Locator HDR Rev2 ProEx 500 ProEx 800



## MALÅ RTC dimensions (cm)



## MALÅ RTC Mini dimensions (cm)



**GUIDELINEGEO | ABEM | MALÅ**

*GUIDELINE GEO has been in the geophysics business since 1923 and is the global leader in near-surface geotechnology. Our advanced technology ensures practical solutions to everyday, societal, and global problems. We deliver total solutions in the technological fields of ground penetrating radar, seismic, geoelectrical and electromagnetic measurement. The Guideline Geo AB share (GGEO) is listed on Nasdaq First North Growth Market. We are a Swedish company with international offices and regional partners serving clients in over 100 countries.*

**VISIT US AT [GUIDELINEGEO.COM](http://GUIDELINEGEO.COM)**